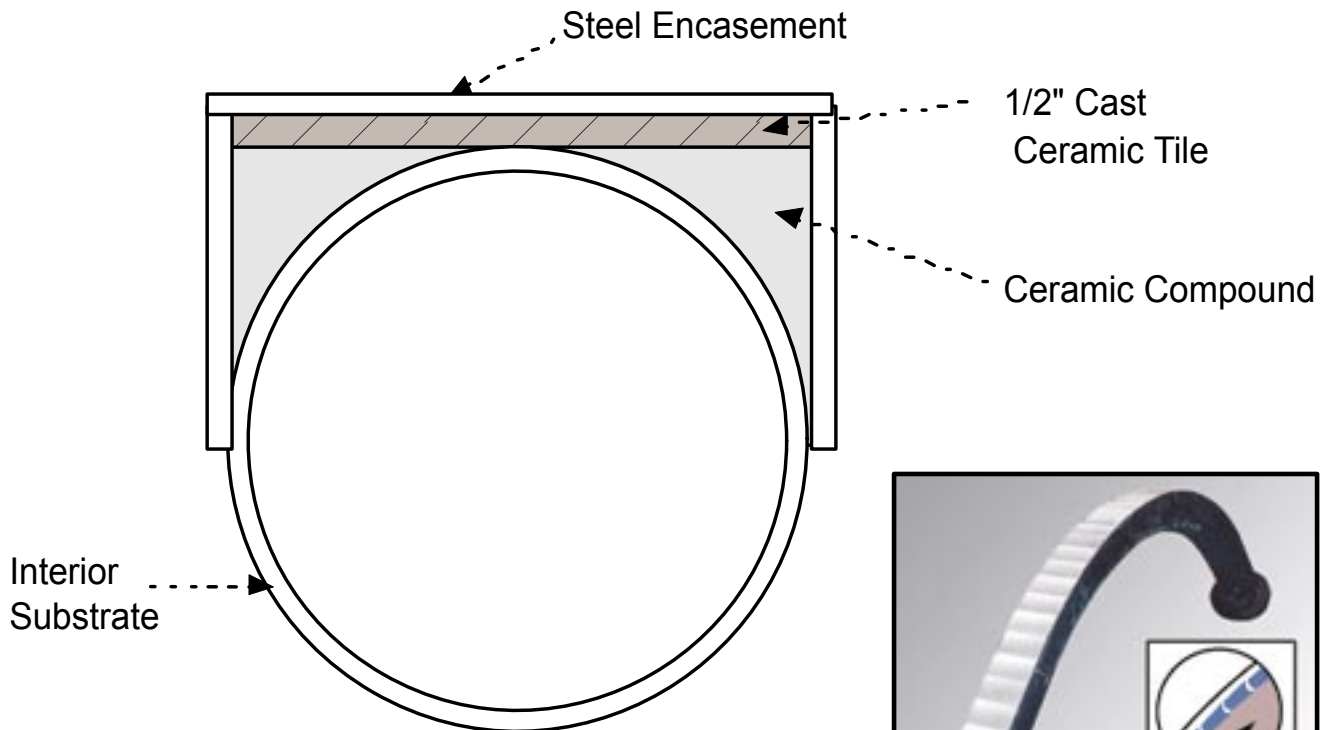


# Ceramic "Flat-Back" Elbow

Designed and manufactured to withstand the impact of large particle pneumatic conveying. The key to our Cast Ceramic "Flat-Back" elbow is that it uses a pipe or tube for the inner core substrate. Using a pipe or tube core lessens the wear caused by the outlet transition, which is no longer needed (going from square back to round).

## Cross Section of "Flat-Back" Elbow



Flat-Back without cover showing cast tiles



After completion showing flow direction

- Highly abrasion resistant (Mohs 9+)
- Impact resistant
- Easily replaces existing elbows
- Does not change line flow
- Available in any degree & standard CLR's
- Available in Carbon Steel & Stainless Steel
- Available in pipe or tubing

### Type of Ends Available:

- Plain Ends - to be used with compression couplings
- Flanged - Plate Type (150# ASA pattern) or 150# ASA flanges
- Grooved Ends
- Quick Couplings
- Threaded Ends (M.P.T. or F.P.T.)
- Any Special Ends or Grooves (manufactured to specifications)